



繪景工廠  
Paint Shop

PRODUCTION

DIRECTOR

DESIGNER

LIGHTING

SET UP

PERFORM

DRAWN BY

DATE

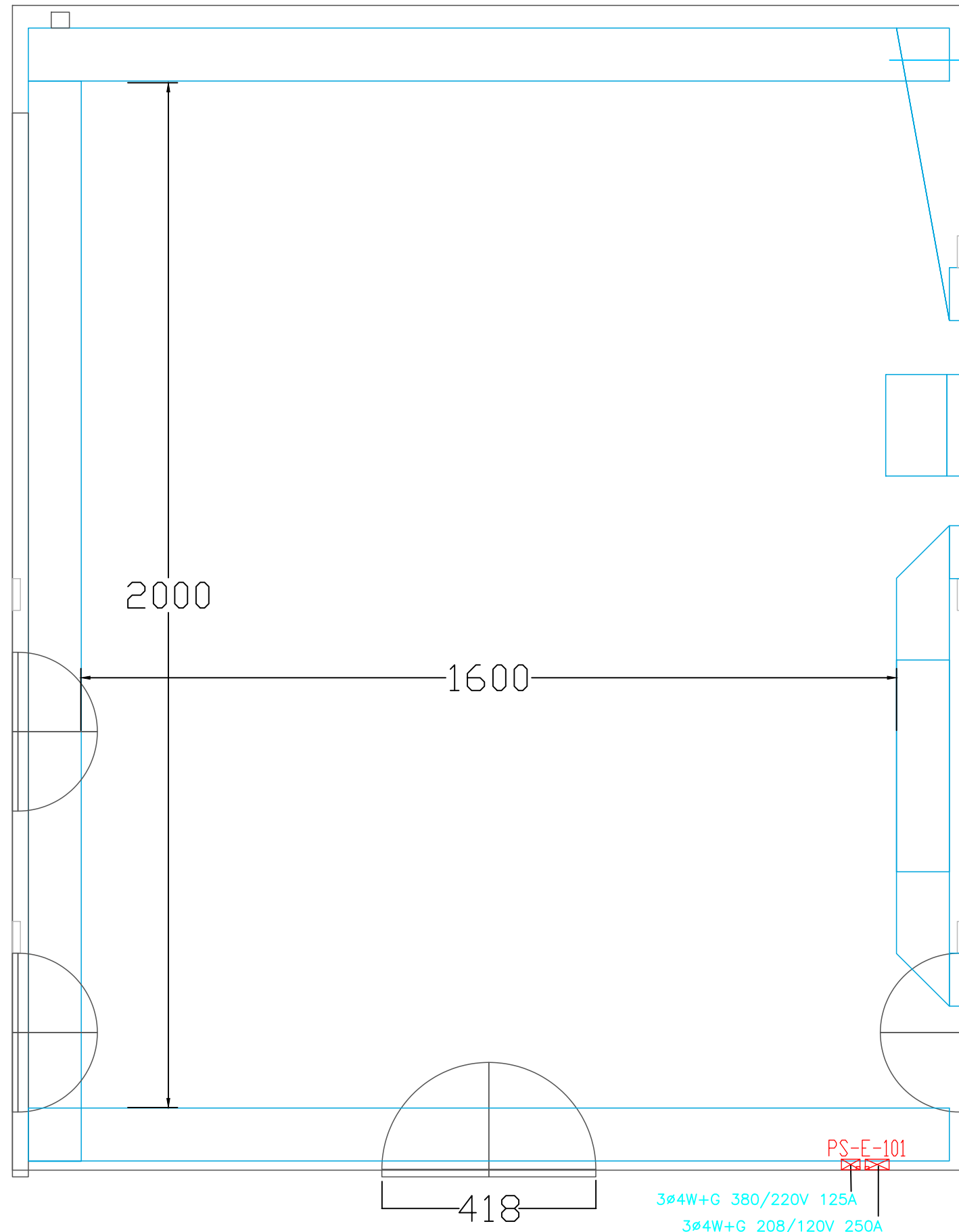
DRAWING TITLE

工廠平面圖  
Paint Shop  
Plan

SCALE : 1/10  
For A3

DRAWING DATE  
2020 / 3 / 12

PRINT DATE



风管

2000

1600

418

PS-E-101

3ø4W+G 380/220V 125A  
3ø4W+G 208/120V 250A